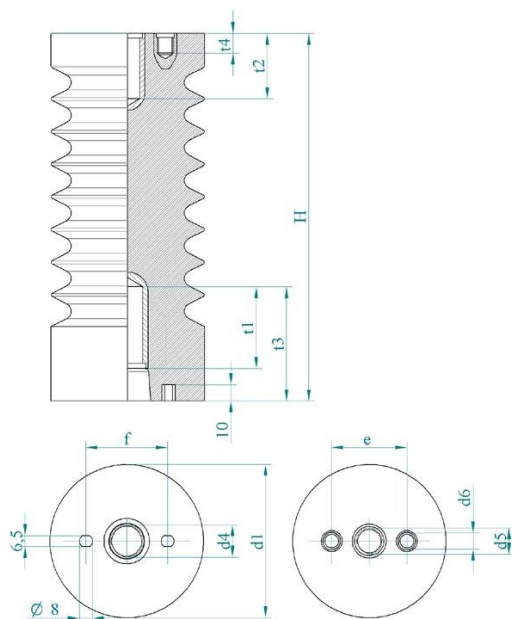


WNĘTRZOWE IZOLATORY WSPORCZE SN



Dane techniczne izolatorów wsporczych SN:

Typ	U_N	F	H	d1	d4	d5	d6	e	t1	t2	t3	t4	f
	[kV]	[N]	[mm]	[mm]	[mm]	[mm]	[mm]	[mm]	[mm]	[mm]	[mm]	[mm]	[mm]

Izolatory wsporcze na napięcie 10 kV

10AN	12/28/75	5000	130	60	M16	M10	M6	36	25	15	40	9	38
10BN	12/28/75	10000	130	75	M20	M16	M10	46	30	25	50	11	45
10CN	12/28/75	16000	130	91	M20	M16	M10	66	30	25	50	11	55
10CS	12/28/75	16000	130	85	M20	M16	M10	46	30	25	50	11	55

Izolatory wsporcze na napięcie 24 kV

20AS	24/50/95	5000	175	77	M16	M10	M6	36	25	15	45	9	45
20BS	24/50/95	10000	175	92	M20	M16	M10	46	30	25	50	11	50
20AN	25/50/125	5000	210	75	M16	M10	M6	36	25	15	45	9	45
20BN	25/50/125	10000	210	93	M20	M16	M10	46	30	25	55	11	50
20CN	25/50/125	16000	210	100	M24	M16	M10	66	35	25	55	11	60

Izolatory wsporcze na napięcie 36 kV

30AN	38.5/80/180	5000	300	95	M16	M10	M6	36	25	15	45	9	45
30BN	38.5/80/180	10000	330	110	M24	M16	M10	46	35	25	55	11	60
30CN	38.5/80/180	16000	300	121	M30	M16	M10	66	45	25	65	11	70